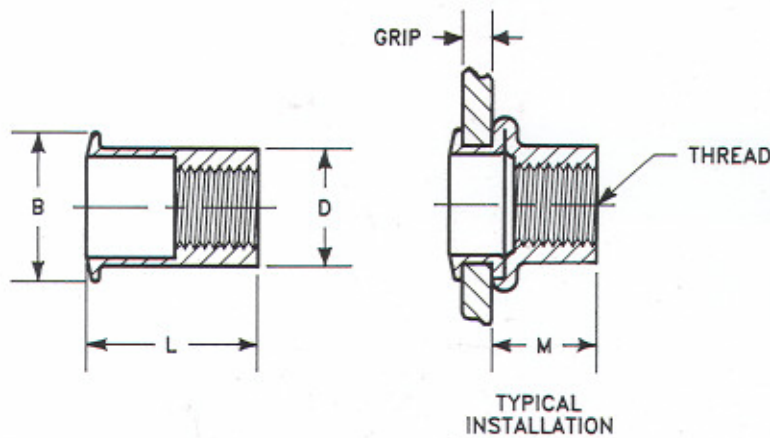


# ITR FASTENER® TECHNICAL SPECIFICATIONS

"D" Series (Large Head)



PART NUMBER	THREAD SIZE	MATERIAL THICKNESS (Grip Range)	DIMENSIONS			INSTALL HOLE SIZE	INSTALL DRILL SIZE	M REF.
			L (Max)	B (Nom)	D (Max)			
ITR6-80SD	#6-32UNC-2B	.020-.080	.460	.375	.265	.266-.272	H	.275
ITR6-130SD	#6-32UNC-2B	.080-.130	.510	.375	.265	.266-.272	H	.275
ITR8-80SD	#8-32UNC-2B	.020-.080	.460	.375	.265	.266-.272	H	.275
ITR8-130SD	#8-32UNC-2B	.080-.130	.510	.375	.265	.266-.272	H	.275
ITR10-130SD	#10-32UNC-2B	.020-.130	.515	.400	.296	.297-.303	19/64	.300
ITR10-225SD	#10-32UNC-2B	.130-.225	.625	.400	.296	.297-.303	19/64	.300
ITR25-165SD	1/4-20UNC-2B	.027-.165	.620	.500	.390	.391-.397	25/64	.340
ITR25-260SD	1/4-20UNC-2B	.165-.260	.720	.500	.390	.391-.397	25/64	.340
ITR31-165SD	5/16-18UNC-2B	.027-.165	.735	.670	.530	.531-.538	17/32	.420
ITR31-312SD	5/16-18UNC-2B	.165-.312	.850	.670	.530	.531-.538	17/32	.420
ITR37-165SD	3/8-16UNC-2B	.027-.165	.735	.670	.530	.531-.538	17/32	.420
ITR37-312SD	3/8-16UNC-2B	.165-.312	.850	.670	.530	.531-.538	17/32	.420
ITRM4-2.0SD	M4x0.7-6H	0.50-2.00	11.70	9.50	6.75	6.80-6.95	6.80	6.5
ITRM4-3.3SD	M4x0.7-6H	2.00-3.30	13.00	9.50	6.75	6.80-6.95	6.80	7.0
ITRM5-3.3SD	M5x0.8-6H	0.50-3.30	13.10	10.10	7.55	7.55-7.70	7.60	7.6
ITRM5-5.7SD	M5x0.8-6H	3.30-5.70	15.90	10.10	7.55	7.55-7.70	7.60	7.6
ITRM6-4.2SD	M6x1.0-6H	0.70-4.20	15.75	12.70	9.90	9.95-10.10	10.00	8.6
ITRM6-6.6SD	M6x1.0-6H	4.20-6.60	18.30	12.70	9.90	9.95-10.10	10.00	8.6
ITRM8-4.2SD	M8x1.25-6H	0.70-4.20	18.65	17.00	13.50	13.50-13.65	13.50	10.7
ITRM8-7.9SD	M8x1.25-6H	4.20-7.90	21.60	17.00	13.50	13.50-13.65	13.50	10.7
ITRM10-4.2SD	M10x1.50-6H	0.70-4.20	18.65	17.00	13.50	13.50-13.65	13.50	10.7
ITRM10-7.9SD	M10x1.50-6H	4.20-7.90	21.60	17.00	13.50	13.50-13.65	13.50	10.7

### Fastener Specifications:

Material: Steel C-1008, C-1010  
 Finish: Zinc Plate per ASTM B633  
 FE / ZN 8 Type II  
 (Cad Plate Available)

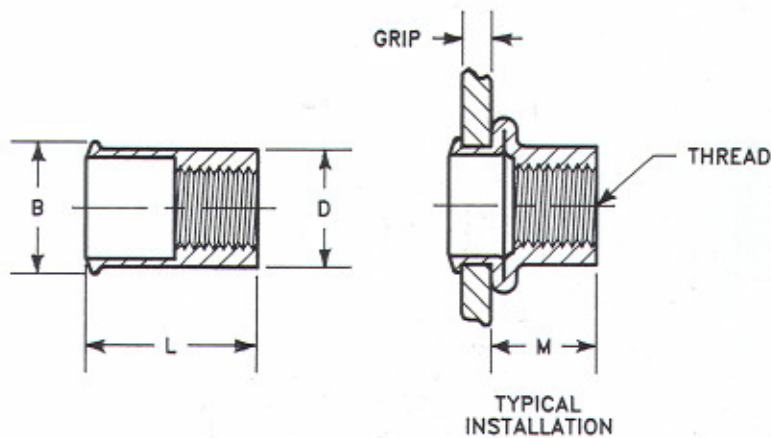
### Part Number Explanation:

Example: ITR6-80SD

**I** **T** **R** **6** **80** **S** **D**  
 ITR FASTENER® Thread Size Grip Range Steel "D" Series

# ITR FASTENER® TECHNICAL SPECIFICATIONS

"K" Series (Small Head)



PART NUMBER	THREAD SIZE	MATERIAL THICKNESS (Grip Range)	DIMENSIONS			INSTALL HOLE SIZE	INSTALL DRILL SIZE	M REF.
			L (Max)	B (Min)	D (Max)			
ITR6-80SK	#6-32UNC-2B	.020-.080	.450	.295	.265	.266-.272	H	.265
ITR6-130SK	#6-32UNC-2B	.080-.130	.500	.295	.265	.266-.272	H	.265
ITR8-80SK	#8-32UNC-2B	.020-.080	.450	.295	.265	.266-.272	H	.265
ITR8-130SK	#8-32UNC-2B	.080-.130	.500	.295	.265	.266-.272	H	.265
ITR10-130SK	#10-32UNC-2B	.020-.130	.505	.326	.296	.297-.303	19/64	.300
ITR10-225SK	#10-32UNC-2B	.130-.225	.615	.326	.296	.297-.303	19/64	.300
ITR25-165SK	1/4-20UNC-2B	.027-.165	.610	.420	.390	.391-.397	25/64	.340
ITR25-260SK	1/4-20UNC-2B	.165-.260	.710	.420	.390	.391-.397	25/64	.340
ITR31-165SK	5/16-18UNC-2B	.027-.165	.720	.560	.530	.531-.538	17/32	.420
ITR31-312SK	5/16-18UNC-2B	.165-.312	.835	.560	.530	.531-.538	17/32	.420
ITR37-165SK	3/8-16UNC-2B	.027-.165	.720	.560	.530	.531-.538	17/32	.420
ITR37-312SK	3/8-16UNC-2B	.165-.312	.835	.560	.530	.531-.538	17/32	.420
ITRM4-2.0SK	M4x0.7-6H	0.50-2.00	11.45	7.50	6.75	6.80-6.95	6.80	6.7
ITRM4-3.3SK	M4x0.7-6H	2.00-3.30	12.70	7.50	6.75	6.80-6.95	6.80	6.7
ITRM5-3.3SK	M5x0.8-6H	0.50-3.30	12.85	8.25	7.55	7.55-7.70	7.60	7.6
ITRM5-5.7SK	M5x0.8-6H	3.30-5.70	15.65	8.25	7.55	7.55-7.70	7.60	7.6
ITRM6-4.2SK	M6x1.0-6H	0.70-4.20	15.50	10.65	9.90	9.95-10.10	10.00	8.6
ITRM6-6.6SK	M6x1.0-6H	4.20-6.60	18.05	10.65	9.90	9.95-10.10	10.00	8.6
ITRM8-4.2SK	M8x1.25-6H	.070-4.20	18.30	14.20	13.50	13.50-13.65	13.50	10.7
ITRM8-7.9SK	M8x1.25-6H	4.20-7.90	21.20	14.20	13.50	13.50-13.65	13.50	10.7
ITRM10-4.2SK	M10x1.50-6H	.070-4.20	18.30	14.20	13.50	13.50-13.65	13.50	10.7
ITRM10-7.9SK	M10x1.50-6H	4.20-7.90	21.20	14.20	13.50	13.50-13.65	13.50	10.7

### Fastener Specifications:

Material: Steel C-1008, C-1010  
 Finish: Zinc Plate per ASTM B633  
 FE / ZN 8 TYPE II  
 (Cad Plate Available)

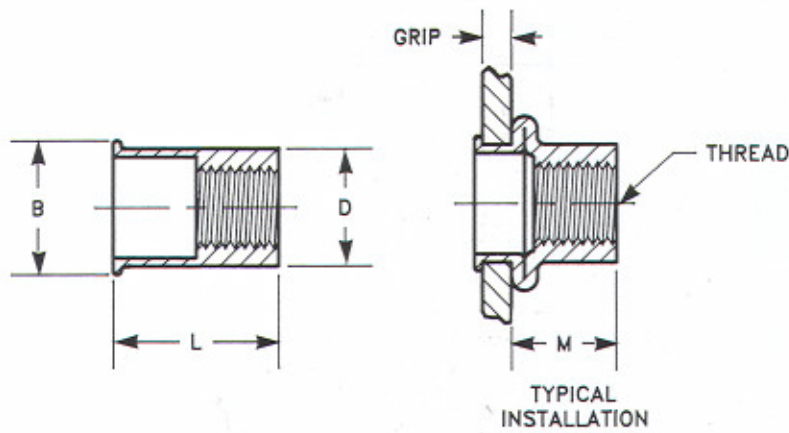
### Part Number Explanation:

Example: ITR6-80SK

ITR 6 80 S K  
 ITR FASTENER® Thread Size Grip Range Steel "K" Series

# ITR FASTENER® TECHNICAL SPECIFICATIONS

"T" Series (Thinsheet)



PART NUMBER	THREAD SIZE	MATERIAL THICKNESS (Grip Range)	DIMENSIONS			INSTALL HOLE SIZE	INSTALL DRILL SIZE	M REF.
			L (max)	B (min)	D (max)			
ITR6-80ST	#6-32UNC-2B	.020-.080	.410	.265	.249	.250-.255	1/4	.255
ITR8-80ST	#8-32UNC-2B	.020-.080	.410	.265	.249	.250-.255	1/4	.255
ITR10-130ST	#10-32UNC-2B	.020-.130	.465	.302	.280	.281-.286	9/32	.275
ITR25-165ST	1/4-20UNC-2B	.030-.165	.610	.396	.374	.375-.380	3/8	.375
ITR31-200ST	5/16-18UNC-2B	.040-.200	.720	.524	.499	.500-.505	1/2	.440
ITR37-200ST	3/8-16UNC-2B	.040-.200	.720	.524	.499	.500-.505	1/2	.440
ITRM4-2.0ST	M4x0.7-6H	0.50-2.00	10.40	6.70	6.35	6.35-6.50	6.40	6.5
ITRM5-3.3ST	M5x0.8-6H	0.50-3.30	11.80	7.65	7.10	7.15-7.30	7.20	7.0
ITRM6-4.2ST	M6x1.0-6H	0.75-4.20	15.50	10.05	9.50	9.55-9.70	9.60	9.5
ITRM8-5.1ST	M8x1.25-6H	1.00-5.10	18.30	13.30	12.70	12.70-12.85	12.70	11.2
ITRM10-5.1ST	M10x1.50-6H	1.00-5.10	18.30	13.30	12.70	12.70-12.85	12.70	11.2

### Fastener Specifications:

Material: Steel C-1008, C-1010  
 Finish: Zinc Plate per ASTM B633  
 FE / ZN 8 TYPE II  
 (Cad Plate Available)

### Part Number Explanation:

Example: ITR6-80ST

**I** **T** **R** **6** **80** **S** **T**  
 ITR FASTENER® Thread Size Grip Range Steel "T" Series